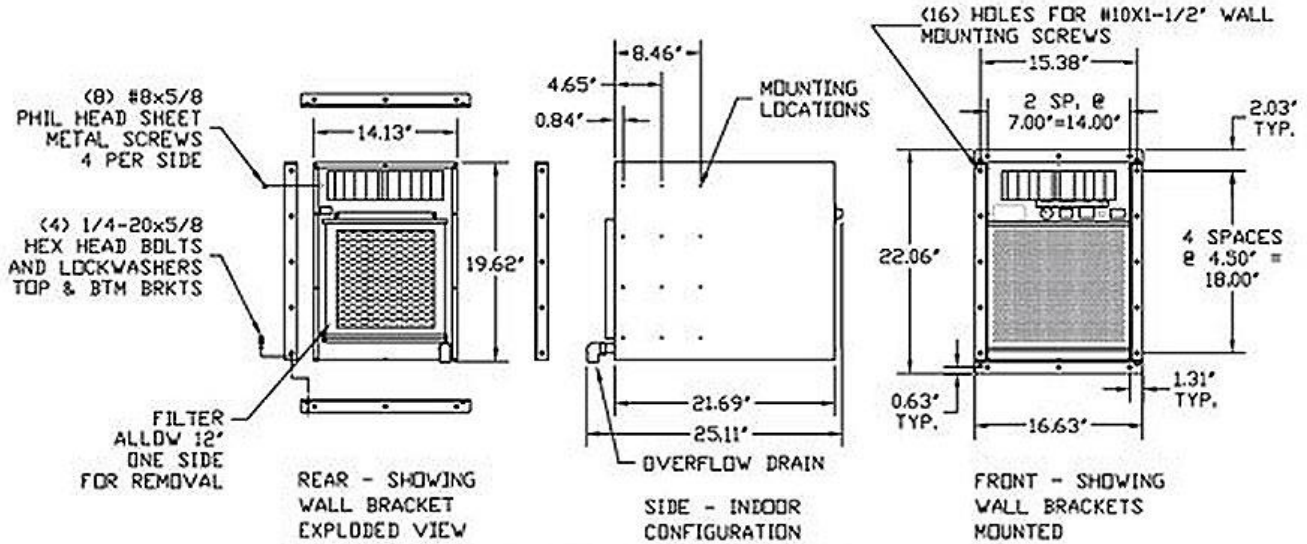
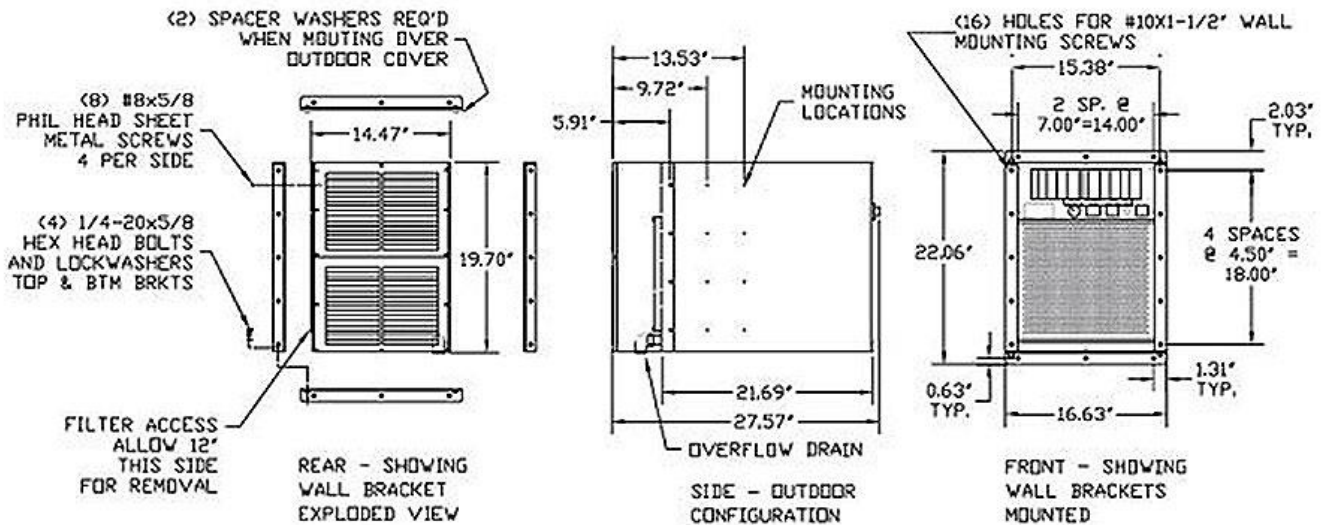


3200 / 4200 VSI



HEIGHT (IN)	WIDTH (IN)	DEPTH (IN)	WEIGHT (LBS)	UL UNIT MAX AMP RATING
19.62	14.13	25.11	115	11.8

3200 / 4200 VSX



HEIGHT (IN)	WIDTH (IN)	DEPTH (IN)	WEIGHT (LBS)	UL UNIT MAX AMP RATING
19.70	14.47	27.57	123	11.8