



**VINOGROTTO™**  
— HOME WINE STORAGE —

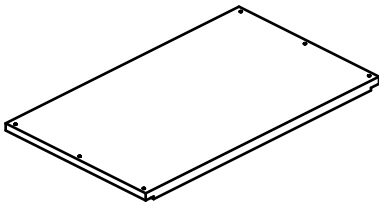
# Assembly Guide

## WINE STORAGE CUBES

Need Assistance? **800.584.0960**

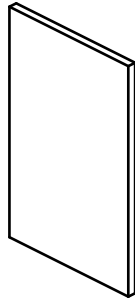
**Parts List:** not to scale

Top/Bottom Frame Piece



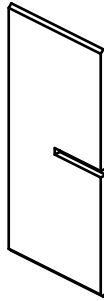
2 per cube

Side Frame Piece



2 per cube

Middle Dividers



2 per cube

Wood  
Screws



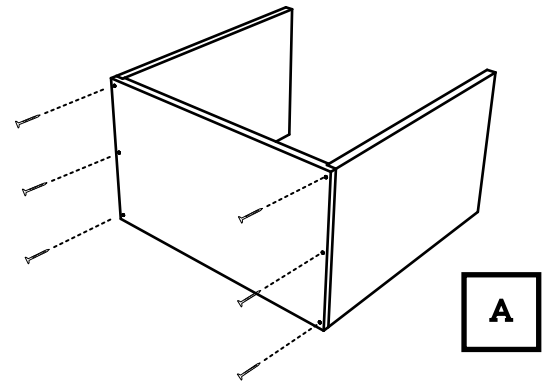
**Tools Required:**



Screwdriver (Phillips)  
or cordless drill

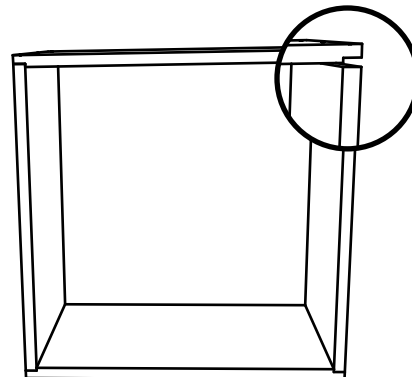
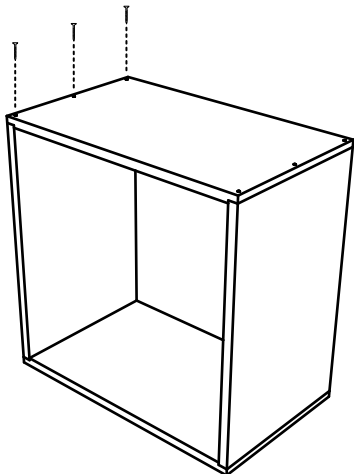
### Step 1

Begin by securing the 2 side frame pieces to one of your top/bottom frame pieces using the wood screws provided. (figure A)



### Step 2

Secure the other top/bottom frame piece to the frame securing it to only one of the side panels. (figure B)  
Leave one corner loose, this will make inserting the middle dividers much easier. (figure C)





**VINOGROTTO™**  
— HOME WINE STORAGE —

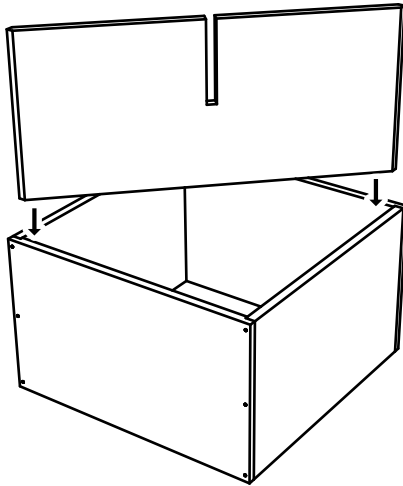
# Assembly Guide

## WINE STORAGE CUBES

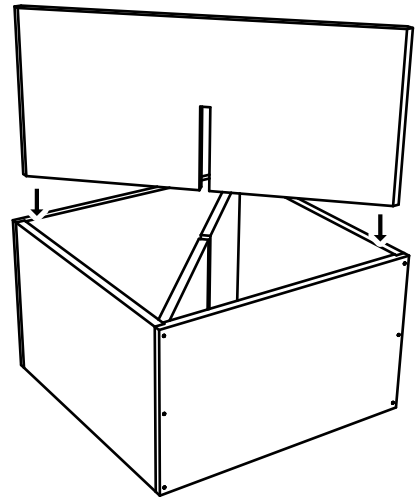
Need Assistance? **800.584.0960**

### Step 3

Lay the frame flat on the floor and insert the first divider so that the middle notch is facing upward. (figure C)  
Insert the second divider piece into the frame so that it locks into place with the other divider. (figure D)



**C**



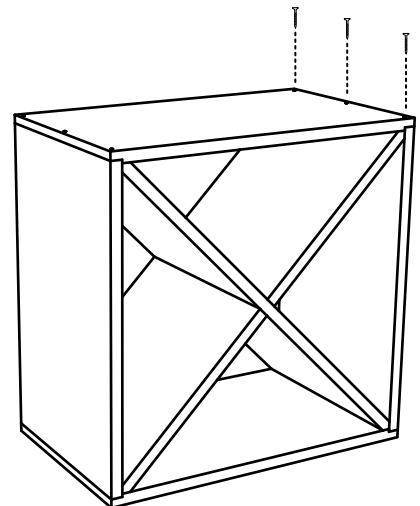
**D**

### Step 4

Finishing securing the frame on the loose corner using three wood screws provided. (figure E)

### You're Finished

Wine Cubes expand with your collection.  
Fill an entire wall or wine cellar with Wine Cubes!  
Cheers and thank you for your purchase.



**E**



Please feel free to contact us for all of your wine storage needs.

800.584.0960 (24 Hours)  
vinogrotto.com